



California Faucets®

Decorative Grab Bar

DOMED END WITH CONCAVE BASE

Features

- All brass construction
- 1-1/4" diameter bar
- Concealed mounting
- Mounting hardware included

- 9412D-48
- 9418D-48
- 9424D-48
- 9430D-48
- 9436D-48
- 9442D-48
- 9448D-48

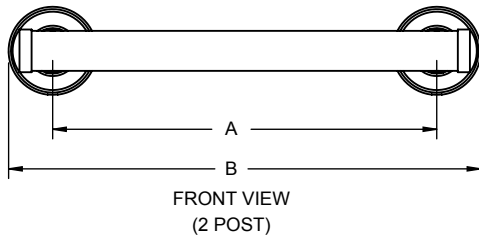


Codes/Standards Applicable

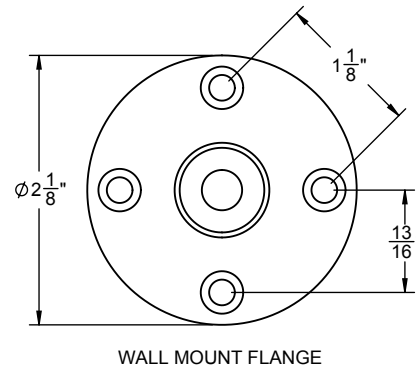
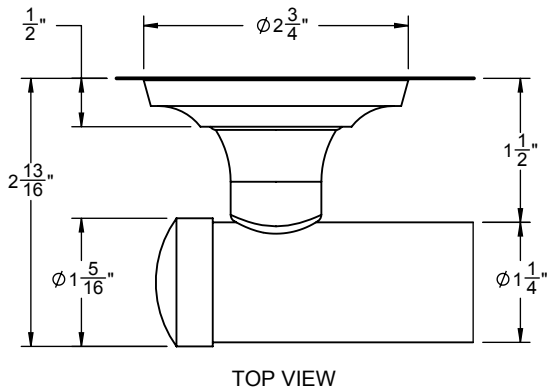
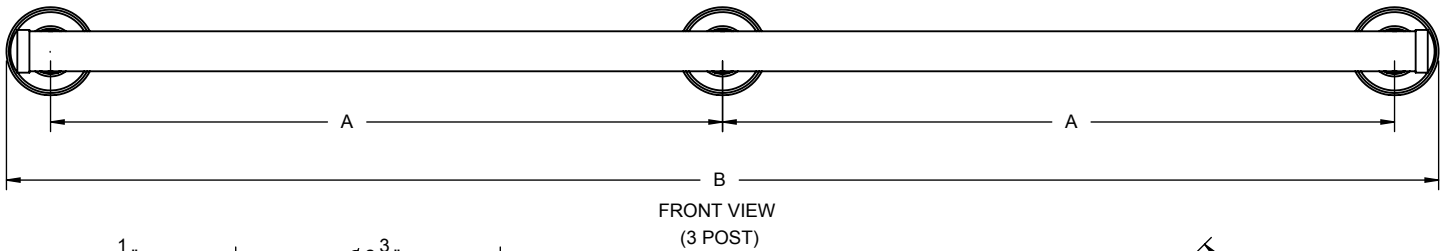
Product meets or exceeds the following:

- ADA compliant

9418D-48 SHOWN



| | DECORATIVE GRAB BAR | DIM. A | DIM. B |
|--------|---------------------|--------|----------------------|
| 2 POST | 9412D-48 | 12" | 14 $\frac{13}{16}$ " |
| | 9418D-48 | 18" | 20 $\frac{13}{16}$ " |
| | 9424D-48 | 24" | 26 $\frac{13}{16}$ " |
| | 9430D-48 | 30" | 32 $\frac{13}{16}$ " |
| | 9436D-48 | 36" | 38 $\frac{13}{16}$ " |
| 3 POST | 9442D-48 | 21" | 44 $\frac{13}{16}$ " |
| | 9448D-48 | 24" | 50 $\frac{13}{16}$ " |



- (8X) - 2 POST GRAB BAR
#8 X 1-3/4" PHILLIPS HEAD SCREW
- (12X) - 3 POST GRAB BAR
#8 X 1-3/4" PHILLIPS HEAD SCREW

SPECIFICATIONS SUBJECT TO CHANGE WITHOUT NOTICE

ALL DIMENSIONS SHOWN TO NEAREST 1/16"